



# Decorator Combination Devices

Space-saving architectural combination devices add elegance and style.

**COOPER** Wiring Devices



# Decorator Combination Devices



## High style solutions

Cooper Wiring Devices' Decorator Combination switches add elegance to residential and light commercial applications. Decorator design features easy, smooth actuation of the rocker panels.

## Switch Combinations

### FEATURES

- 120/277V/AC rating is ideal for incandescent or fluorescent lighting fixtures.
- Thermoplastic rocker, top and backbody are virtually unbreakable to deliver years of durable performance.
- Ultrasonic welding and integrated construction of the strap and body provide superior ground integrity even under heavy use.
- Durable, injection molded housings and PVC resin comply with UL94 V0 flammability ratings.
- Automatic grounding system eliminates the need for bonding jumper in grounded metal enclosure and provides redundant measure of ground continuity where a jumper is used.
- Steel mounting strap is zinc-plated for added corrosion resistance.
- Convenient patented built-in wire stripper speeds installation.
- Backwire clamps on side terminals provide for easy installation of #12 and #14 wire.
- Terminal screws are backed out and ready for wiring to enhance ease of installation.
- Break-off provision on switches for wiring both devices on the same circuit or on separate circuits.
- Triple wipe blade contacts and double wipe ground contacts to insure long-term plug retention (7730).
- Tri-combo screw heads offer greater installation flexibility.

### Decorator Commercial Specification Grade



Rating	Description	Catalog No.	Available Colors
A V	Two Single-Pole Switches	□ 7728__	A, BK, LA, V, W
	Three Single-Pole Switches	□ 7729__	A, BK, LA, V, W
	Single-Pole Switch with NEMA NEMA 5-15 15A 125V Receptacle	□ 7730__	A, BK, LA, V, W
	Two 3-Way Switches	□ 7731__	A, BK, LA, V, W
	One Single-Pole Switch with One 3-Way Switch	□ 7732__	A, BK, LA, V, W

## Related Products

### Architectural Mid-Size Screwless Wallplates



Description	Overall Size	Catalog No.	Available Colors
1-Gang Decorator	4.88" (123.8mm) H x 3.13" (79.4mm) W	□ PJS26__	A, B, BK, GY, LA, V, W
2-Gang Decorator	4.88" (123.8mm) H x 4.94" (125.4mm) W	□ PJS262__	A, B, BK, GY, LA, V, W
3-Gang Decorator	4.88" (123.8mm) H x 6.75" (171.5mm) W	□ PJS263__	A, BK, LA, V, W
4-Gang Decorator	4.88" (123.8mm) H x 8.62" (217.5mm) W	□ PJS264__	A, BK, LA, V, W
5-Gang Decorator	4.88" (123.8mm) H x 11.38" (288.9mm) W	□ PJS265__	A, BK, LA, V, W
6-Gang Decorator	4.88" (123.8mm) H x 12.19" (309.6mm) W	□ PJS266__	A, BK, LA, V, W

For ordering, include Cat. No. followed by the color code: A (Almond), B (Brown), BK (Black), GY (Gray), LA (Light Almond), V (Ivory), W (White).

### TESTING & CODE COMPLIANCE

- cULus Listed to UL20/UL498, file no. E18704 (combination).
- cULus Listed to UL 514D, file no. E33216 (wallplates).
- Horsepower rated for motor loads per UL 20: 15A switch, 1/2 hp @120V/AC, 2 hp @240V/AC, max. 12A.

### MATERIAL CHARACTERISTICS

- PVC (combination); Polycarbonate (wallplates)
- Environmental: Flammability meets UL 94 requirements; combination V0 rated; wallplates V2 rated.
- Temperature Rating: combination: -20°C to 60°C (-4°F to 140°F); wallplates -40°C to 65°C (-40°F to 149°F).

Cooper Wiring Devices is a valuable trademark of Cooper Industries in the U.S. and other countries. You are not permitted to use the Cooper Trademarks without the prior written consent of Cooper Industries. ©2008 Cooper Industries, Ltd.

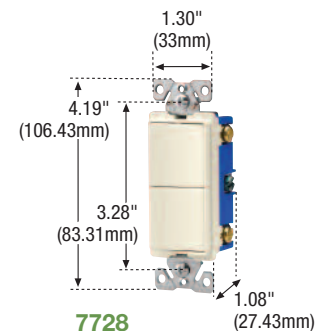
#### Cooper Wiring Devices

United States  
203 Cooper Circle  
Peachtree City, GA 30269  
P: 866-853-4293 F: 800-329-3055

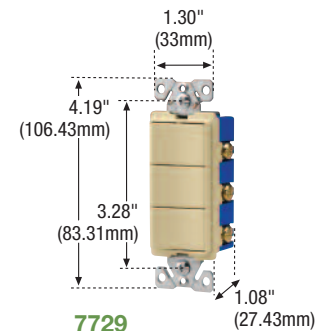
Canada  
5925 McLaughlin Road  
Mississauga, Ontario, L5R 1B8  
P: 800-267-1042 F: 800-761-5748

Mexico  
Industrias Royer, S.A. de C.V.  
Tres Anegas #404  
Col. Nueva Industrial Vallejo  
C.P. 07700, Mexico D.F.  
P: 5747-6228 | 5747-6229  
F: 5752-5336

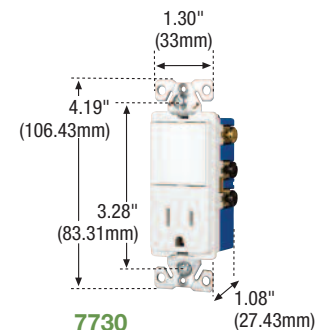
www.cooperwiringdevices.com



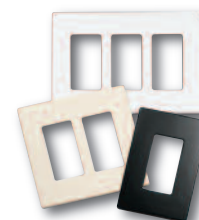
7728



7729



7730



Screwless Wallplates